

A close-up photograph of a white Leviton EV charging station. The station has a black vertical strip on the left side with three indicator lights labeled "POWER", "CHARGE", and "FAULT". The word "LEVITON" is printed in grey on the white surface. A black charging cable is plugged into the station, and a white charging handle is visible in the foreground. The station is mounted on a wall.

LEVITON®

evr-green®

A Complete Line of
Solutions for Electric
Vehicle Charging

Whether you are the driver of an EV,
a commercial business owner, a utility
company or a landlord, Leviton has the
charging station for you.

Evr-Green® Level 2 EV Charging Stations

30 and 40 Amp, 7.2 kW and 9.6 kW

- Compatible with all Electric Vehicle Supply Equipment (EVSE) Codes, Standards and Recommended Practices, including SAE J1772™, NEC 625, UL 2231 and UL 2594
- Compact size and unique wiring compartment design provides a hassle-free installation
- “Auto-Reclosure” feature enables charging to restart following a minor fault, thereby reducing the chance of having an undercharged battery
- Ground monitor interrupter circuit for safety
- Includes mounting bracket
- RFID versions allow EV drivers to quickly and easily activate their charger by tapping their RFID card on the front of the unit

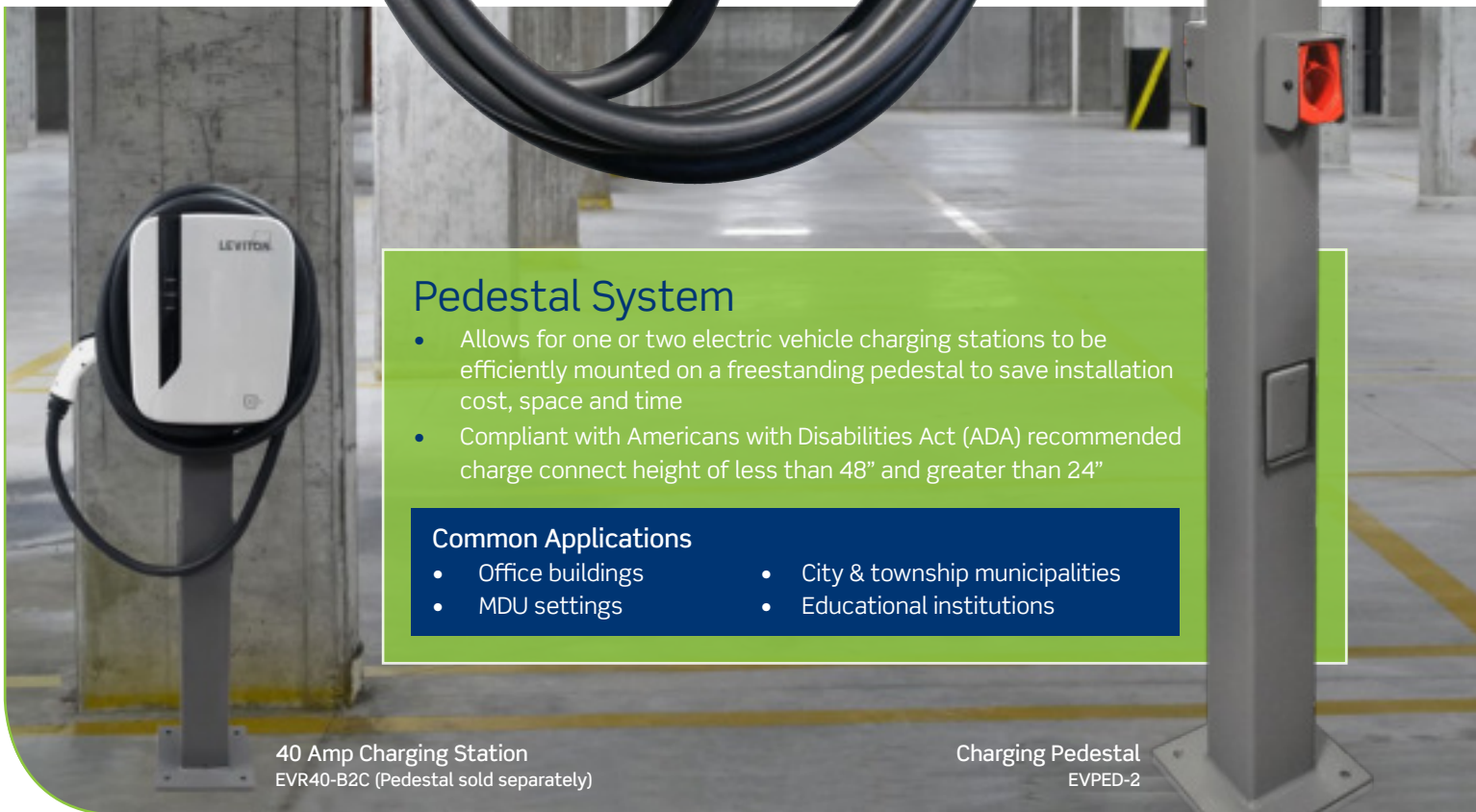
For indoor and outdoor use with thermoplastic, water-resistant enclosure, rated NEMA Type 3R

Status indicator lights alert power, charging status and faults



30 Amp Charging Station
EVR30-B1C

New cable design prevents cord from freezing and cracking in extreme weather, as low as -40°F/-40°C



Pedestal System

- Allows for one or two electric vehicle charging stations to be efficiently mounted on a freestanding pedestal to save installation cost, space and time
- Compliant with Americans with Disabilities Act (ADA) recommended charge connect height of less than 48” and greater than 24”

Common Applications

- Office buildings
- City & township municipalities
- MDU settings
- Educational institutions

40 Amp Charging Station
EVR40-B2C (Pedestal sold separately)

Charging Pedestal
EVPED-2

Ordering Information

Cat. No.	Description
EVR30-B1C	Evr-Green® Charging Station, 30 A, 208-240 VAC, 7.2 kW output, 18' charging cable, hardwired
EVR40-B2C	Evr-Green® Charging Station, 40 A, 208-240 VAC, 9.6 kW output, 25' charging cable, hardwired
EVR30-R2C	Evr-Green® Charging Station with RFID, 30 A, 208-240 VAC, 7.2 kW output, 25' charging cable, hardwired, 2 x RFID cards
EVRFI	Additional RFID Card
EVHOL	Holster, for mounting next to your Evr-Green® Charging Station to safely store your cable and coupler
EVPEd-2	Evr-Green® Pedestal
EVJ30-25	Evr-Green® Charging Station Replacement Cold Temperature Charging Cable, 30 A, 25'
EVJ40-25	Evr-Green® Charging Station Replacement Cold Temperature Charging Cable, 40 A, 25'

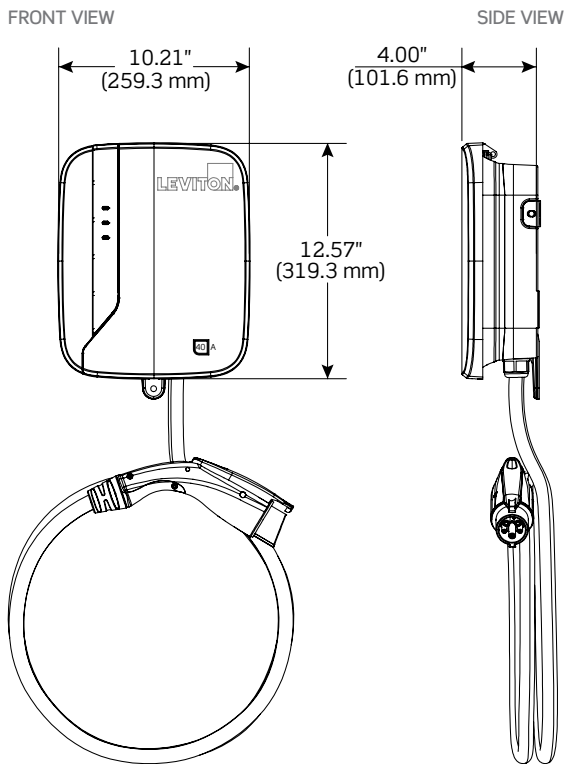
30 Amp Charging Station with RFID
EVR30-R2C



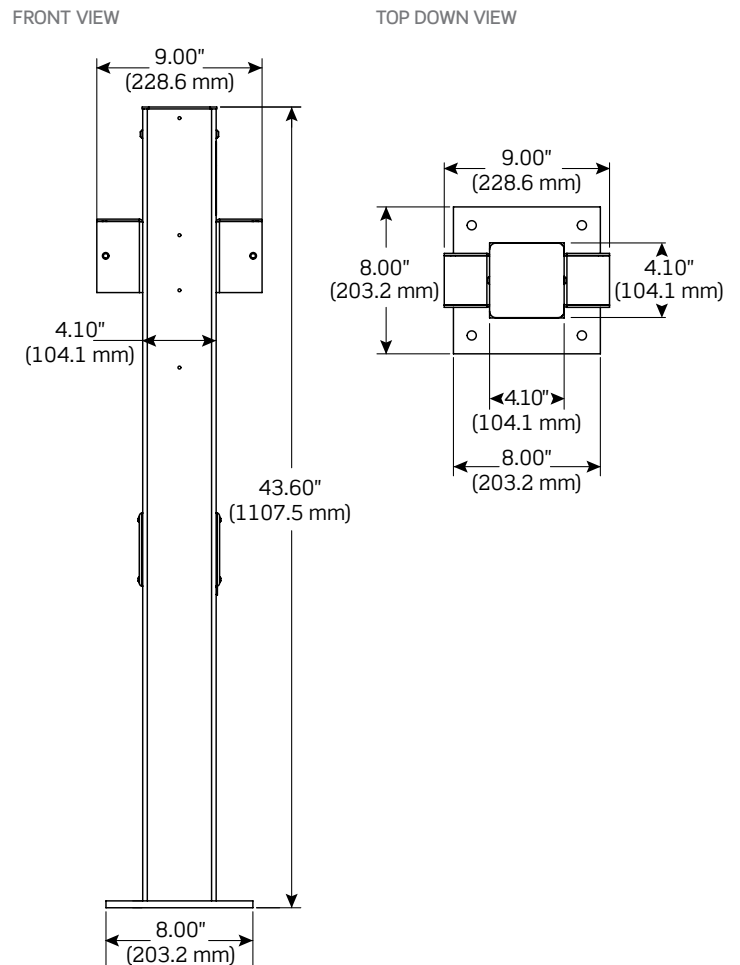
Holster
EVHOL
(Sold Separately)

Dimensions

Charging Stations



Pedestal System



Specifications

Electric Vehicle Charging Stations	30 Amp Charging Station	30 Amp Charging Station with RFID	40 Amp Charging Station
Catalog Number	EVR30-B1C	EVR30-R2C	EVR40-B2C
Electrical Specifications			
Amperage	30 A 60 Hz	30 A 60 Hz	40 A 60 Hz
Breaker	2 Pole, 40 A Breaker on Dedicated Circuit, Non-GFCI Type	2 Pole, 40 A Breaker on Dedicated Circuit, Non-GFCI Type	2 Pole, 50 A Breaker on Dedicated Circuit, Non-GFCI Type
Voltage	240 VAC Single Phase and 208 VAC 3-Phase Y	240 VAC Single Phase and 208 VAC 3-Phase Y	240 VAC Single Phase and 208 VAC 3-Phase Y
Charge Connector Cord	SAE J1772 Charge Connector	SAE J1772 Charge Connector	SAE J1772 Charge Connector
Output Rating	7.2 kW (30 A @ 240 V) 6.2 kW (30 A @208 V)	7.2 kW (30 A @ 240 V) 6.2 kW (30 A @208 V)	9.6 kW (40 A @ 240 V) 8.3 kW (40 A @ 208 V)
Phantom Power	< 7.5 W	< 7.5 W	< 7.5 W
Number of Phase/Wire	L1, L2 and Ground, Bottom Feed	L1, L2 and Ground, Bottom Feed	L1, L2 and Ground, Bottom Feed
Short Circuit Current Rating	20 mA CCID per UL 2231	20 mA CCID per UL 2231	20 mA CCID per UL 2231
Station Operating Temperature	-22°F to +122°F / -30°C to +50°C	-22°F to +122°F / -30°C to +50°C	-22°F to +122°F / -30°C to +50°C
Environmental Specifications			
Charging Cable Operating Temperature	SAE J1772 Connector Cord : -40°F to +122°F (-40°C to +50°C)		
Operating Humidity	< 95% Relative Humidity, Non-Condensing		
Cooling	Natural Cooling		
Altitude	Up to 6,500 ft. (2,000 m)		
Material Specifications			
Enclosure Rating	NEMA Type 3R		
Enclosure Cover Material	Plastic (PC+PBT)		
Status Indicators	Power Present, Charging, Fault		
Charge Connector Cord	UL Type EV		
Mechanical Specifications			
Charging Cable Length	18 Ft (5.5 m)	25 Ft (7.62 m)	25 Ft (7.62 m)
Product Features			
Cover Locking Mechanism	Torx Screw to Prevent Unauthorized Access / No Padlock Option		
Card Reader	—	ISO/IEC 14443 Type A/B RFID For User Authentication	—
Standards & Certifications			
Certificates/Compliance	SAE J1772; UL 991; SAE J2953; NEC Article 625; UL 2594; CSA C22.2; No. 107.1; UL 2231-1; FCC; UL 2231-2; UL, cUL; UL 1998; RoHS		
Warranty			
Term	2-Year Limited Warranty		
Pedestal System			
Component	Material Specifications		
Pole/Base	Powder Coated Steel		
Charge Connector Docking Bracket	Valox® PBT & Powder Coated Steel		
Mounting Hardware	Stainless Steel		

Visit our Website at:
leviton.com/evrgreen
 email: evrgreen@leviton.com

Q-1206D

081820

Leviton Manufacturing Co., Inc.
 201 N Service Rd, Melville, NY 11747
 Telephone: 1-800-323-8920 • FAX: 1-800-832-9538
 Tech Line: 1-800-824-3005 (M-F 8AM-10PM; Sat 9AM-7PM; Sun 9AM-5PM)

© 2020 Leviton Manufacturing Co., Inc. All rights reserved.

